



Fujian Kwise Generator Co., Ltd.

Application and Standard

High voltage generator is widely used in environmental power generation, Marine, petroleum, construction machinery, power energy, mobile power station, power system and other important fields. Alternators are compliance to the main domestic and international standards and regulations: GB755-2008, GB10069-2015, GB10068-2015, GB/T18488.1-2015, GB/T18488.2-2015

Electrical features

Frequency: 50/60Hz

Voltage: 6300V/10500V/13800V

Poles: 4/6/8/10 poles

Power range: 300-4000KW/375-5000kVA

Power factor: 0.8

Insulation class: H class

Winding pitch: 5/6 (optional 2/3 pitch)

Number of outgoing wires: 6

Automatic voltage regulator (digital) : Standard --DECS150; Optional--ABB1010

Excitation system: standard - self-excitation; Optional - PMG

Steady-state voltage adjustment rate: 1%

Waveform distortion rate THD: <4%

Telephone interference factor TIF: <50

Short-circuit current capacity: 300%IN, 10S

Mechanical features

Structure: double bearing or single bearing

Protection level: Standard IP23 (Other protection levels can be provided according to user requirements: IP44 or IP54)

Mechanical reinforced structure: frame, end cover, bearing outer cover are welded steel plate structure

Rotor structure: the whole salient pole rotor punch, copper damping winding

Bearing: Heavy duty ball bearing with dust-proof cover, protected by bearing cover and sealing ring, repeatable grease filling, no need to use insulated bearing

Dynamic balance: double bearing rotor adopts half key balance

Overspeed: The maximum overspeed is 2250RPM

Standard rotation direction: Viewed clockwise from the drive end

Stator winding: formed winding

Insulation system: using special excellent mica tape and epoxy resin material, Corona protection treatment, high pressure protection treatment, VPI immersion paint.

Rectifier device: 1200V rectifier tube, surge suppressor to protect the induction of peak high voltage.

PMG system: short circuit current capacity 300% rated current, maintain 10S; AVR is isolated from generator output and load to avoid AVR interference.

Outlet box: can be designed according to customer requirements

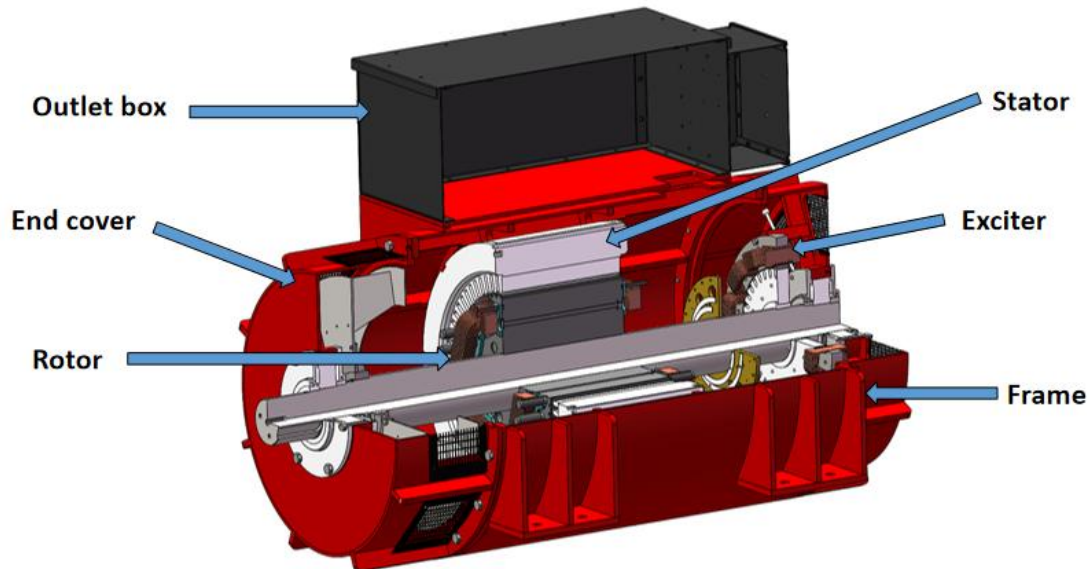


Fujian Kwise Generator Co., Ltd.

4 Poles

Kwise from the CASIC, to the world

Structure drawing



Usage characteristics:

- High output voltage, small current, long distance, transmission line loss, voltage reduction;
- Small heat load loss, insulation system is not easy to aging, long service life of equipment;
- Strong anti-harmonic ability, with nonlinear load ability;