



DLA164 Series

Fujian Kwise Generator Co., Ltd.

6.2kW - 15.4 kW

Application and Standard

The DLA164 series are DC generators for telecommunication and lighting towers (LED). The generators comply with IEC 60034, NEMA MG1-32, ISO 8525, CSA C22.2-100, VDE 0530, GB755.

Mechanical features

Enclosure: Standard enclosure is IP23.

Bearings: Sealed for life bearings

Forms: can be provided in single bearing or double bearing configurations according to customer's requirements.

Coupling Disc: High strength coupling disc

General parameters

| | | | | | |
|------------------|---------|---------------|---------|-------------------|--------|
| Insulation class | Class H | Maximum speed | 2250rpm | DC voltage ripple | <1% |
| Altitude | ≅ 1000m | Leads | 2 | AVR | KVR470 |
| Protection grade | IP23 | | | Output voltage | 48 Vdc |

Rated value

| Rated voltage | | 48 Vdc | | | | Efficiency |
|----------------------|-----|--------|------|------|------|------------|
| Rotational speed rpm | | 1200 | 1500 | 1800 | 2000 | |
| DLA164B1 | kVA | 5.3 | 6.5 | 7.5 | 7.9 | 73.6% |
| | kW | 5.0 | 6.2 | 7.2 | 7.5 | |
| DLA164B2 | kVA | 6.5 | 8.0 | 9.3 | 9.7 | 78.0% |
| | kW | 6.2 | 7.6 | 8.8 | 9.2 | |
| DLA164B3 | kVA | 8.5 | 10.5 | 12.2 | 12.7 | 79.7% |
| | kW | 8.1 | 10.0 | 11.6 | 12.1 | |
| DLA164C4 | kVA | 10.2 | 12.6 | 14.6 | 15.2 | 81.6% |
| | kW | 9.7 | 12.0 | 13.9 | 14.5 | |
| DLA164C5 | kVA | 11.3 | 14.0 | 16.2 | 16.9 | 82.1% |
| | kW | 10.8 | 13.3 | 15.4 | 16.1 | |

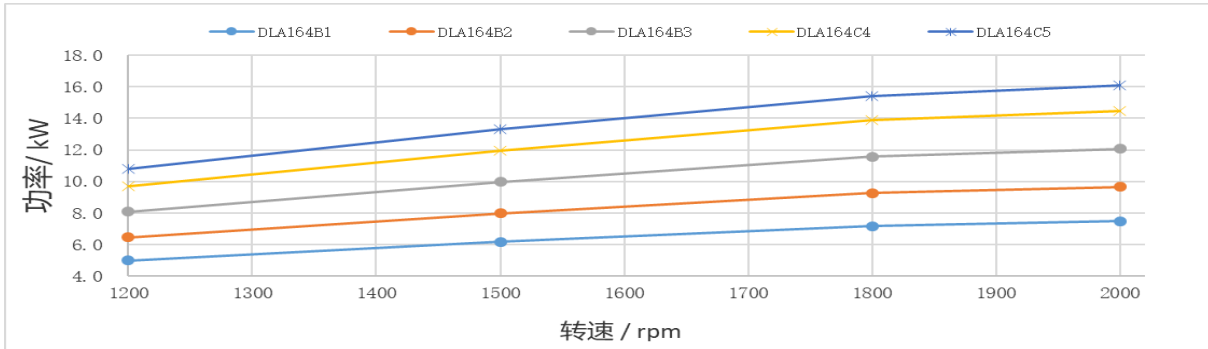


Fujian Kwise Generator Co., Ltd.

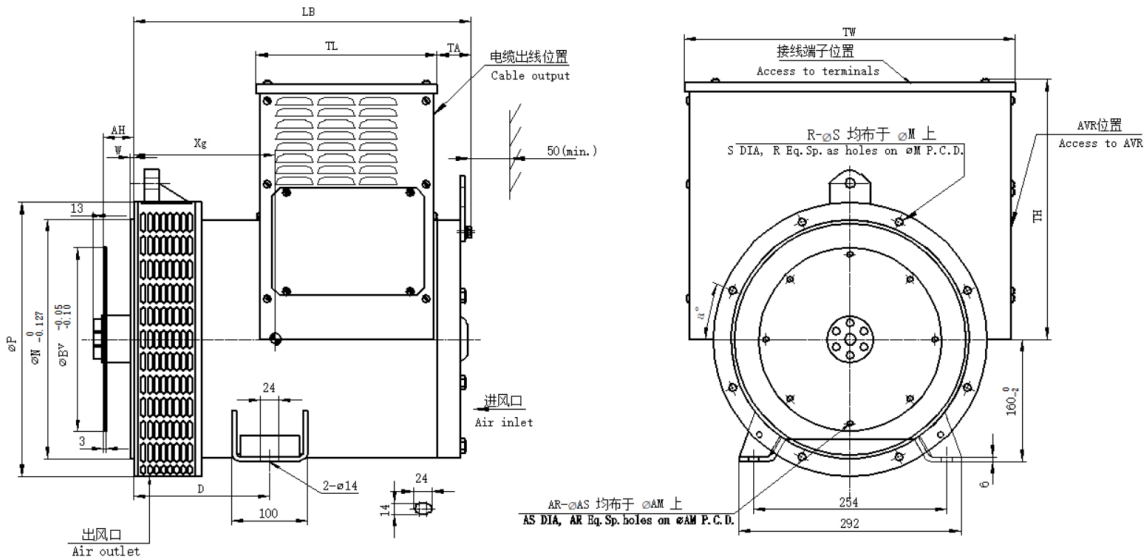
4 Poles

Kwise from the CASIC, to the world

Rated speed and power



Outline Drawing



| Dimension(mm) | SAE 4/5 | TL | TA | TW | TH | *Xg | Weight | Package |
|---------------|---------|-----|----|-----|-----|-----|--------|---------------|
| TYPE | LB | mm | mm | mm | mm | mm | kg | L x W x H(mm) |
| DLA164B1 | 404 | 238 | 45 | 434 | 341 | 152 | 82 | 570*525*687 |
| DLA164B2 | 404 | 238 | 45 | 434 | 341 | 162 | 88 | 570*525*687 |
| DLA164B3 | 404 | 238 | 45 | 434 | 341 | 172 | 95 | 570*525*687 |
| DLA164C4 | 443 | 267 | 60 | 430 | 351 | 176 | 103 | 614*525*687 |
| DLA164C5 | 443 | 267 | 60 | 430 | 351 | 186 | 108 | 614*525*687 |

| Flange (mm) | | | | | | | |
|-------------|-----|---------|---------|--------|---|-----|------|
| S.A.E | P | N | M | R-øS | W | D | a° |
| #3 | 451 | 409.575 | 428.625 | 12-ø11 | 5 | 190 | 15 |
| #4 | 402 | 361.95 | 381 | 12-ø11 | 5 | 178 | 15 |
| #5 | 356 | 314.325 | 333.375 | 8-ø11 | 5 | 178 | 22.5 |

| Coupling Disc (mm) | | | | |
|--------------------|---------|---------|--------|------|
| S.A.E | BX | AM | AR-øAS | AH |
| #6.5 | 215.9 | 200.025 | 6-ø9 | 30.2 |
| #7.5 | 241.3 | 222.25 | 8-ø9 | 30.2 |
| #8 | 263.525 | 244.475 | 6-ø11 | 62 |
| #10 | 314.325 | 295.275 | 8-ø11 | 53.8 |
| #11.5 | 352.425 | 333.375 | 8-ø11 | 39.6 |