



Fujian Kwise Generator Co., Ltd.

DLA224 Series

30.0kW - 68.0 kW

Application and Standard

DLA224 series products are DC generators, suitable for telecommunication and lighting towers (LED), generators comply with IEC60034, NEMA MG1-32,ISO8525,CSA C22.2-100,VDE 0530,GB755 standards.

Mechanical features

Enclosure:Standard enclosure is IP23.

Bearings:Sealed for life bearings

Forms: can be provided in single bearing or double bearing configurations according to customer's requirements.

Coupling Disc:High strength coupling disc

General parameters

Insulation class	H	Maximum speed	2250rpm	DC voltage ripple	<1%
Altitude	≅ 1000m	Leads	2	AVR	KVR470
Protection grade	IP21			Output voltage	48 Vdc

Rated value

DC Voltage		48 Vdc				Efficiency
Rotational speed rpm		1200	1500	1800	2000	
DLA224B1	kVA	25.6	31.6	36.7	38.2	83.1%
	kW	24.3	30.0	34.8	36.3	
DLA224B2	kVA	27.3	33.7	39.1	40.8	84.6%
	kW	25.9	32.0	37.1	38.7	
DLA224B3	kVA	32.4	40.0	46.4	48.4	85.2%
	kW	30.8	38.0	44.1	46.0	
DLA224B4	kVA	36.2	44.7	51.9	54.1	87.0%
	kW	34.4	42.5	49.3	51.4	
DLA224C5	kVA	40.5	50.0	58.0	60.5	86.5%
	kW	38.5	47.5	55.1	57.5	
DLA224C6	kVA	42.6	52.6	61.0	63.6	88.2%
	kW	40.5	50.0	58.0	60.5	
DLA224C7	kVA	46.9	57.9	67.2	70.1	87.9%
	kW	44.6	55.0	63.8	66.6	
DLA224D8	kVA	51.2	63.2	73.3	76.5	87.4%
	kW	48.6	60.0	69.6	72.6	
DLA224D9	kVA	54.6	67.4	78.2	81.6	89.4%
	kW	51.9	64.0	74.3	77.5	
DLA224D10	kVA	58.0	71.6	83.1	86.6	89.3%
	kW	55.1	68.0	78.9	82.3	

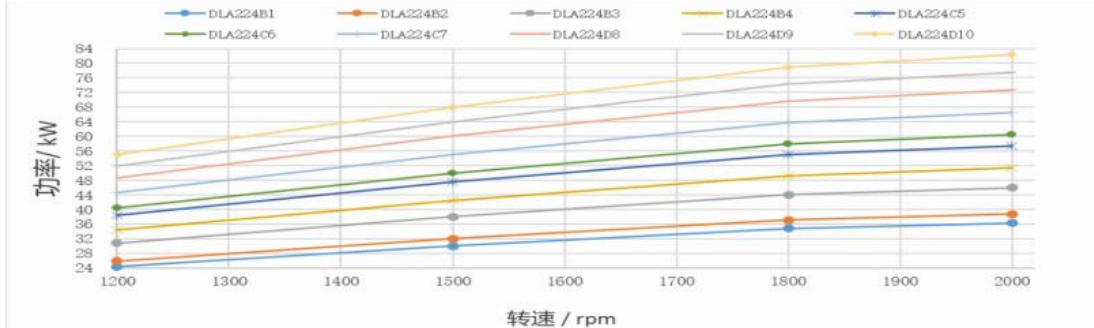


4 Poles

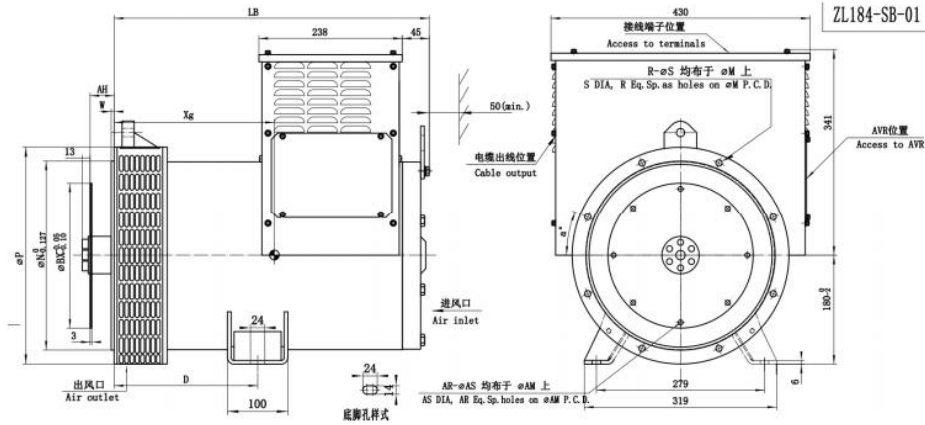
Fujian Kwise Generator Co., Ltd.

Kwise from the CASIC, to the world

Rated speed and power



Outline Drawing



Dimension(mm)	SAE 3	SAE 4/5	*Xg	Weight	Package
TYPE	LB	LB	mm	kg	L x W x H(mm)
DLA224B1	455	443	186	120	570*525*687
DLA224B2	455	443	191	128	570*525*687
DLA224B3	535	523	243	137	670*525*687
DLA224B4	535	523	248	142	670*525*687
DLA224C5	535	523	253	157	670*525*687
DLA224C6	595	583	273	171	730*525*687
DLA224C7	535	523	253	157	670*525*687
DLA224D8	595	583	273	171	730*525*687
DLA224D9	595	583	287	179	730*525*687
DLA224D10	595	583	293	184	730*525*687

Flange (mm)							
S.A. E	P	N	M	R-øS	W	D	a°
#3	451	409.575	428.625	12-ø11	5	190	15
#4	402	361.95	381	12-ø11	5	178	15
#5	356	314.325	333.375	8-ø11	5	178	22.5

Coupling Disc(mm)				
S.A. E	BX	AM	AR-øAS	AH
#6.5	215.9	200.025	6-ø9	30.2
#7.5	241.3	222.25	8-ø9	30.2
#8	263.525	244.475	6-ø11	62
#10	314.325	295.275	8-ø11	53.8
#11.5	352.425	333.375	8-ø11	39.6